

ATAL TINKERING LAB

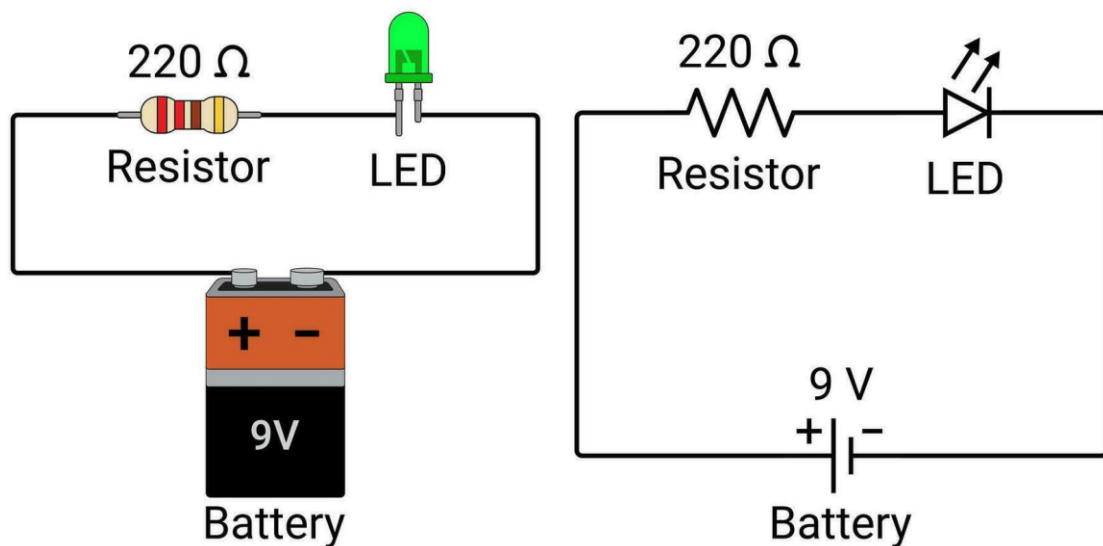
3. SIMPLE LED CIRCUIT

Aim: To illuminate an LED using a simple circuit setup.

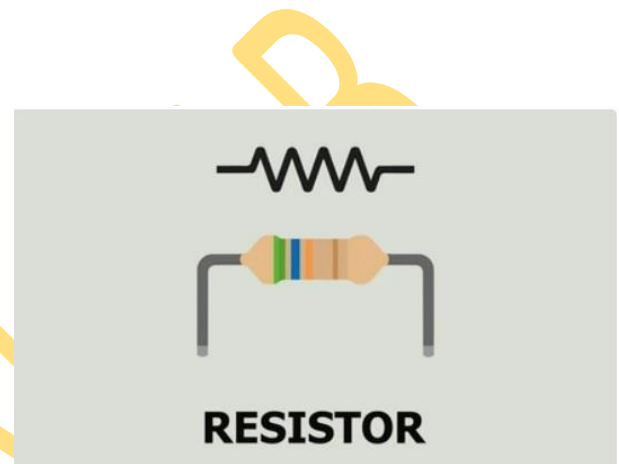
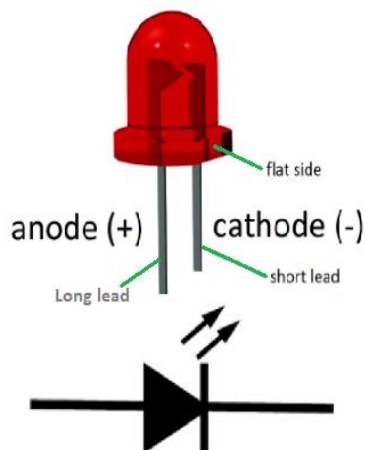
Components Required:

- ✓ Bread board
- ✓ LED
- ✓ Resistor (220 ohms)
- ✓ Connecting wires
- ✓ 9v Battery

Circuit Diagram:



- **Bread board** – A breadboard is a handy tool for making temporary electrical circuits without needing to solder components together.
- **LED** – LED stands for "Light Emitting Diode." An LED is a tiny, colorful light that can shine when you give it some electrical energy from the battery. LED's are used widely in electronic devices.



- **Resistor** – A resistor is an electronic component that limits or controls the flow of electrical current in a circuit.
- **Connecting wires**– Wires are conductive materials used to connect various components in an electrical circuit, facilitating the flow of electricity between them.
- **9v Battery**– A 9-volt battery is a portable power source commonly used in electronic devices.